

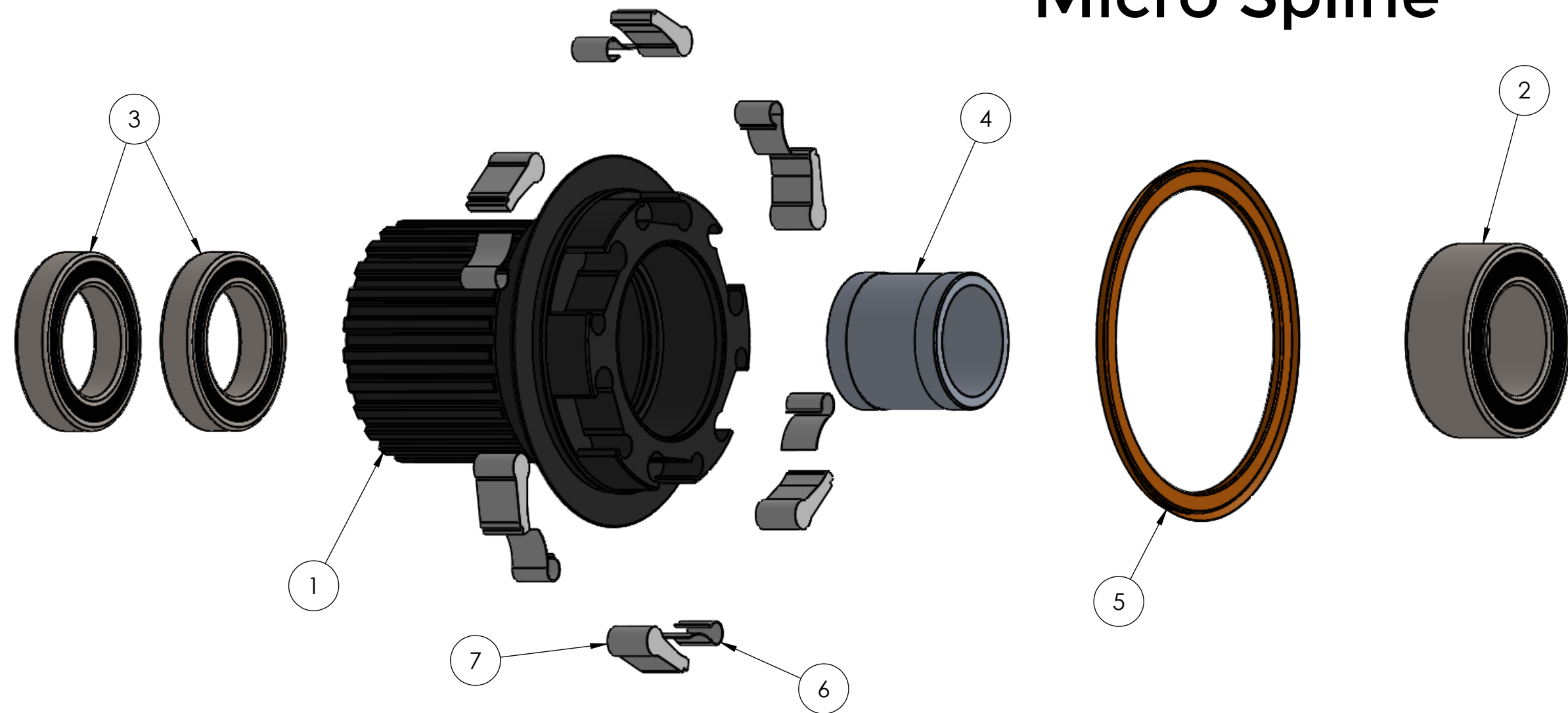
4

3

2

1

# Hydra Mountain Freehub Micro Spline



ITEM NO.	PART NUMBER	DESCRIPTION	QTY.
1	HFH2512	Micro Spline Freehub	1
2	BB152610	Ball Bearing 15 x 26 x 10 Double Row	1
3	BB6802A3	Ball Bearing, 15 x 24 x 5	2
4	HFH2517	Hydra/101 MTN Freehub Spacer Micro Spline	1
5	TFH534	Hydra/Torch Freehub Seal	1
6	HFH2533	Hydra/101 Pawl Spring	6
7	HFH2532	Hydra Pawl	6

**PROPRIETARY AND CONFIDENTIAL**  
 THE INFORMATION CONTAINED IN THIS DRAWING IS THE SOLE PROPERTY OF INDUSTRYNINE COMPONENTRY. ANY REPRODUCTION IN PART OR AS A WHOLE WITHOUT THE WRITTEN PERMISSION OF INDUSTRYNINE COMPONENTRY IS PROHIBITED.

		UNLESS OTHERWISE SPECIFIED:	NAME	DATE		
		DIMENSIONS ARE IN INCHES	DRAWN			TITLE:
		TOLERANCES:	CHECKED			
		FRACTIONAL: ± 1/32	ENG APPR.			
		ANGULAR: ± 0.5 deg	MFG APPR.		SIZE DWG. NO. REV <b>B</b>	
		TWO PLACE DECIMAL ±0.01	Q.A.			
		THREE PLACE DECIMAL ±0.005	COMMENTS:		SCALE: 1:2 WEIGHT: SHEET 1 OF 1	
INTERPRET GEOMETRIC TOLERANCING PER:						
MATERIAL						
FINISH						
NEXT ASSY	USED ON					
APPLICATION		DO NOT SCALE DRAWING				

4

3

2

1

B

B

A

A