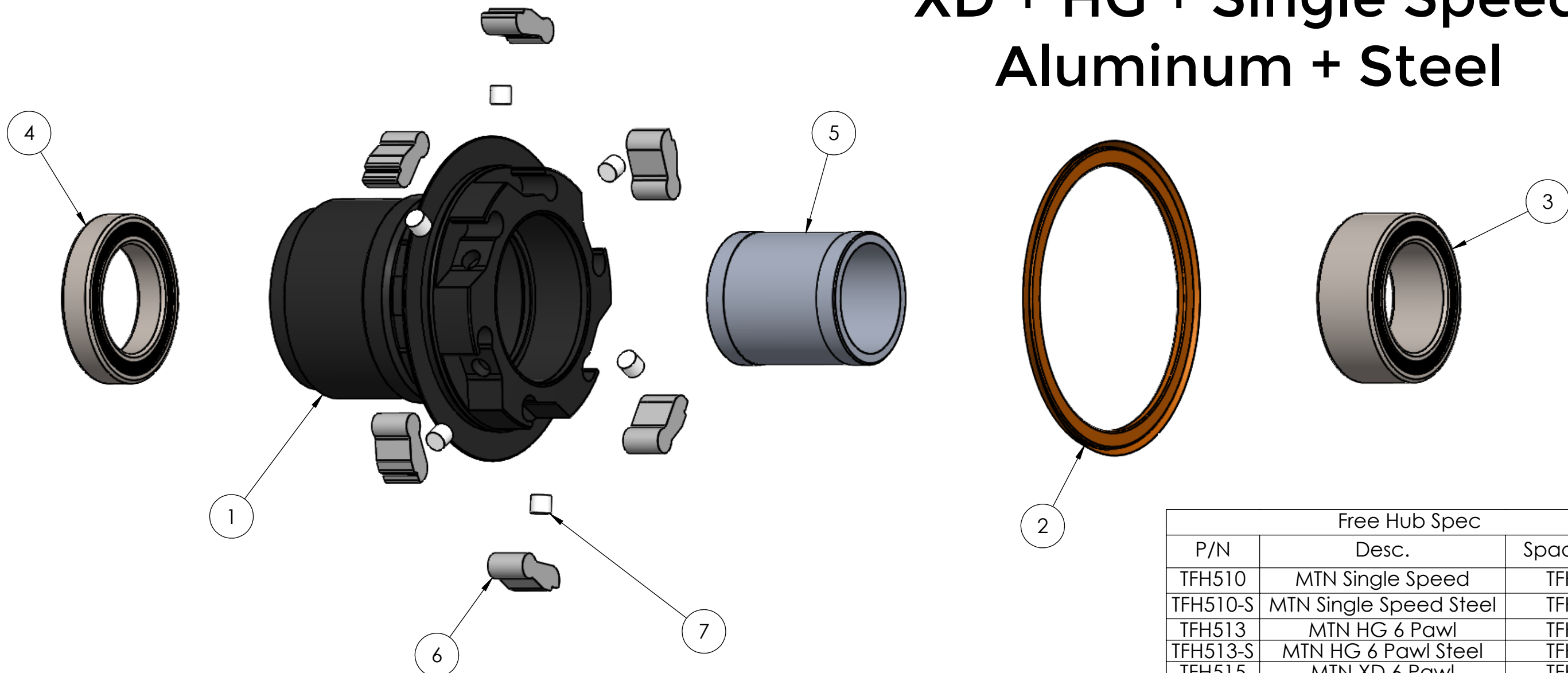


Torch Mountain Freehub XD + HG + Single Speed Aluminum + Steel



Free Hub Spec		
P/N	Desc.	Spacer P/N
TFH510	MTN Single Speed	TFH514
TFH510-S	MTN Single Speed Steel	TFH514
TFH513	MTN HG 6 Pawl	TFH516
TFH513-S	MTN HG 6 Pawl Steel	TFH516
TFH515	MTN XD 6 Pawl	TFH516
TFH515-S	MTN XD 6 Pawl Steel	TFH516
TFH550	MTN HG 3 Pawl	TFH516
TFH551	MTN XD 3 Pawl	TFH516

ITEM NO.	PART NUMBER	DESCRIPTION	QTY.
1	TFH515	Torch Freehub Body XD	1
2	TFH534	Freehub Seal	1
3	BB31803	BALL BEARING, 17 x 26 x 10	1
4	BB61803	BALL BEARING, 17 x 26 x 5	1
5	TFH516	MTN Freehub Spacer	1
6	TFH532	Torch Drive Pawl	6
7	TFH533	Pawl Spring	6

PROPRIETARY AND CONFIDENTIAL
THE INFORMATION CONTAINED IN THIS DRAWING IS THE SOLE PROPERTY OF INDUSTRYNINE COMPONENTRY. ANY REPRODUCTION IN PART OR AS A WHOLE WITHOUT THE WRITTEN PERMISSION OF INDUSTRYNINE COMPONENTRY IS PROHIBITED.

UNLESS OTHERWISE SPECIFIED:	
DIMENSIONS ARE IN INCHES	
TOLERANCES:	
FRACTIONAL: ± 1/32	
ANGULAR: ± 0.5 deg	
TWO PLACE DECIMAL ±0.01	
THREE PLACE DECIMAL ±0.005	
INTERPRET GEOMETRIC TOLERANCING PER:	
MATERIAL	
FINISH	
NEXT ASSY	USED ON
APPLICATION	DO NOT SCALE DRAWING

NAME	DATE
DRAWN	
CHECKED	
ENG APPR.	
MFG APPR.	
Q.A.	
COMMENTS:	

INDUSTRY NINE

TITLE:

SIZE	DWG. NO.	REV
B		

SCALE: 1:2 WEIGHT: SHEET 1 OF 1